

2MP WDR Super Starlight (Motorized) VF Eyeball Network IR Camera

IPC3632ER3-DUPZ-C



Key Features

Optics

- Super Starlight illumination
- Day/night functionality
- Optical glass window with higher light transmittance
- IR anti-reflection window to increase the infrared transmittance
- Smart IR, up to 30m (98ft) IR distance
- 2D/3D DNR (Digital Noise Reduction)
- Built-in motorized lens for remote zoom

Compression

- Ultra 265, H.264, MJPEG
- Triple streams
- 9:16 corridor mode

Network

- ONVIF Conformance

Structure

- Support PoE power supply

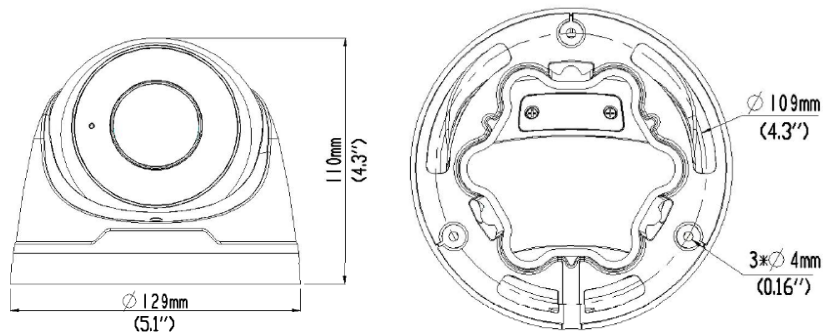
- Wide temperature range: -40°C ~ 60°C (-40°F ~ 140°F)
- Wide voltage range of ±25%
- IP67
- 3-Axis

Specifications

IPC3632ER3-DUPZ-C																
Camera																
Sensor	1/2.8", 2.0 megapixel, progressive scan, CMOS															
Lens	2.7 ~ 13.5 mm, AF automatic focusing and motorized zoom lens															
DORI Distance	<table border="1"> <thead> <tr> <th>Lens (mm)</th> <th>Detect (m)</th> <th>Observe (m)</th> <th>Recognize (m)</th> <th>Identify (m)</th> </tr> </thead> <tbody> <tr> <td>2.7</td> <td>41.9</td> <td>16.8</td> <td>8.4</td> <td>4.2</td> </tr> <tr> <td>13.5</td> <td>309.5</td> <td>83.8</td> <td>41.9</td> <td>20.9</td> </tr> </tbody> </table>	Lens (mm)	Detect (m)	Observe (m)	Recognize (m)	Identify (m)	2.7	41.9	16.8	8.4	4.2	13.5	309.5	83.8	41.9	20.9
	Lens (mm)	Detect (m)	Observe (m)	Recognize (m)	Identify (m)											
	2.7	41.9	16.8	8.4	4.2											
13.5	309.5	83.8	41.9	20.9												
Angle of view (H)	121.36° ~ 33.51°															
Angle of View (V)	74.1° ~ 13.2°															
Angle of View (O)	157.8° ~ 41.2°															
Adjustment angle	<table border="1"> <tr> <td>Pan: 0° ~ 360°</td> <td>Tilt: 0° ~ 90°</td> <td>Rotate: 0° ~ 360°</td> </tr> </table>	Pan: 0° ~ 360°	Tilt: 0° ~ 90°	Rotate: 0° ~ 360°												
Pan: 0° ~ 360°	Tilt: 0° ~ 90°	Rotate: 0° ~ 360°														
Shutter	Auto/Manual, shutter time: 1 ~ 1/100000s															
Minimum Illumination	Colour: 0.0005Lux (F1.2, AGC ON) 0Lux with IR															
Day/Night	IR-cut filter with auto switch (ICR)															
Digital noise reduction	2D/3D DNR															
S/N	>52dB															
IR Range	Up to 30m (98ft) IR range															
Defog	Digital Defog															
WDR	120dB															
Video																
Video Compression	Ultra 265, H.264, MJPEG															
H.264 code profile	Baseline profile, Main Profile, High Profile															
Frame Rate	Main Stream: 2MP (1920*1080), Max 30fps; ; Sub Stream: 2MP (1920*1080), Max 30fps; Third Stream: D1 (720*576), Max 30fps															
9:16 Corridor Format	Supported															
HLC	Supported															
BLC	Supported															
OSD	Up to 8 OSDs															
Privacy Mask	Up to 8 areas															
ROI	Up to 8 areas															
Motion Detection	Up to 4 areas															
Audio																
Audio Compression	G.711															
Suppression	Supported															

Sampling Rate	8KHZ
Storage	
Edge Storage	Micro SD, up to 256GB
Network Storage	ANR
Network	
Protocols	IPv4, IGMP, ICMP, ARP, TCP, UDP, DHCP, PPPoE, RTP, RTSP, RTCP, DNS, DDNS, NTP, FTP, UPnP, HTTP, HTTPS, SMTP, 802.1x, SNMP, QoS
Compatible Integration	ONVIF (Profile S, Profile G, Profile T), API
Interface	
Network	1 RJ45 10M/100M Base-TX Ethernet
Built-in Mic	Supported
General	
Power	DC 12V±25%, PoE (IEEE 802.3af)
	Power consumption: Max 8.16W
Dimensions (∅ x H)	∅129 x 110mm (∅5.08" x 4.3")
Weight	0.67kg (1.48lb)
Working Environment	-40°C ~ 60°C (-40°F ~ 140°F), Humidity: ≤95% RH (non-condensing)
Ingress Protection	IP67
Reset Button	Supported

Dimensions



Zhejiang Uniview Technologies Co., Ltd.

Building No.10, Wanlun Science Park, Jiangling Road 88, Binjiang District, Hangzhou, Zhejiang, China (310051)

Email: overseasbusiness@uniview.com; globalsupport@uniview.com

<http://www.uniview.com>

©2019 Zhejiang Uniview Technologies Co., Ltd. All rights reserved.

*Product specifications and availability are subject to change without notice.